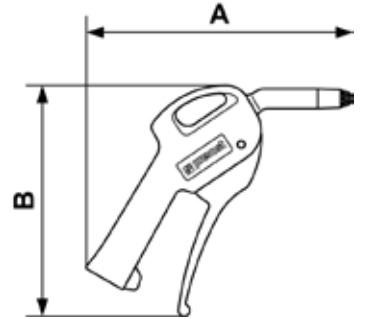


## 27202 BLOW GUNS ON CLIP

OSHA Silent Nozzle

Profile : TRUFLATE



<b>Blowing force</b> 11 OZF	<b>Max. operating pressure</b> 145 psi	<b>Temperature min/max</b> 5 / 158 °F
--------------------------------	---	--

Part number	Flow rate at 87 psi (CFM)	Sound level (dBA)	Female thread	Net weight (Kg)
27202 SILP	9	77	NPT1/4	0